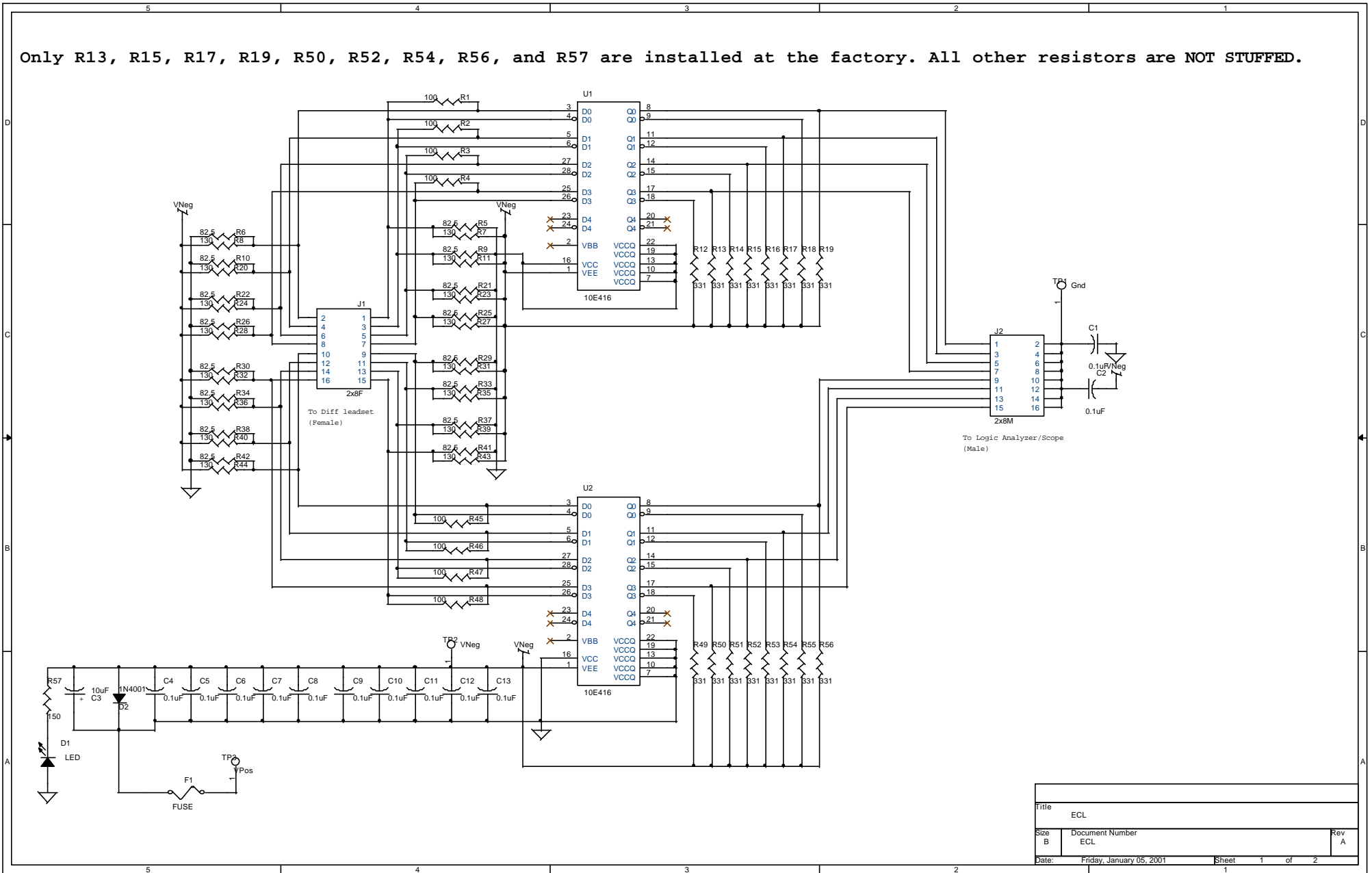


Only R13, R15, R17, R19, R50, R52, R54, R56, and R57 are installed at the factory. All other resistors are NOT STUFFED.



Title		
ECL		
Size	Document Number	Rev
B	ECL	A
Date:	Friday, January 05, 2001	Sheet 1 of 2